



24MK

Thermo-ventilation units



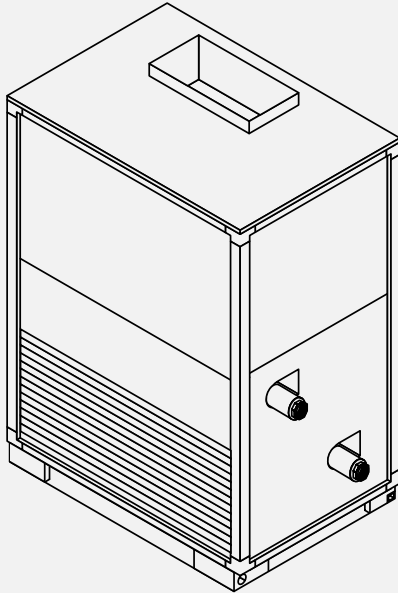
The 24MK series air handling units are modular sectional units that can be configured to meet the following functions with the use of the appropriate components: filtration, heating, cooling, mixture of ambient air with external air and ventilation for the air to be introduced into the environment.

Available in 8 sizes for a range of air flow rates between 1,700 and 25,000 m³/h (maximum flow 18,900 m³/h in case of air conditioning) with total pressures up to 1000 Pa.

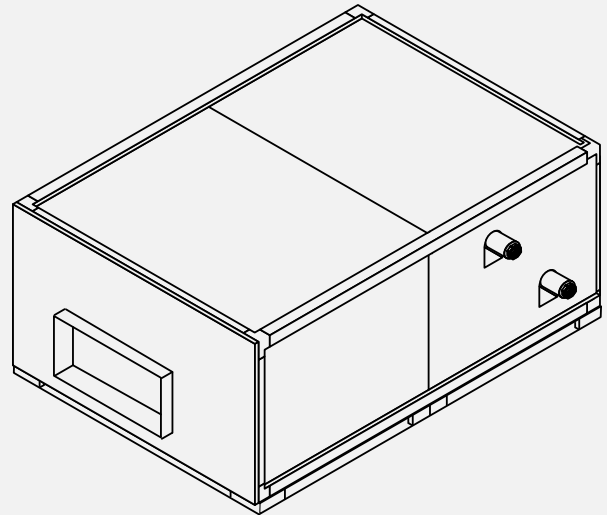


Configurations

Type A orientation



Type B orientation



The construction is of the type with aluminum frame and sandwich infill panels 25mm thick. The surfaces of the panels are in pre-painted sheet metal, externally and internally galvanized. Sheet thickness 0.5 mm. Thermo-acoustic insulation guaranteed by 45 kg/m³ density polyurethane foam.

Although the use is often required in a vertical cabinet configuration, the series is characterized by two other possible installation configurations: vertical "L" and horizontal. Both versions have been designed to minimize the overall dimensions and therefore make the most of the useful space: in height for horizontal installation (typically on the ceiling) and in depth for vertical installation, especially when the unit is leaning against a wall .

The base unit can be configured in various ways according to the needs, however the typically supplied version is normally composed of:

- 48mm thick corrugated synthetic filter. Eff. G4 easily removable with removable inspection panel
- Double-use coil for heating and /or cooling applications from 2/4/6 Rows P3012 complete with peraluman condensation collection tank
- Motor-ventilating unit with one or more forward-bladed fans, three-phase electric motor with belt drive with variable pulley from standstill. Optional directly connected fan fans EC fan.

The base unit is normally supplied monoblock to the advantage of a better thermal insulation (the junction between the fan section and the treatment is missing) and the assembly times on site.



Performance technical data

		01	02	03	04	05	06	07	08
FAN SECTION									
Rated air flow (1)	m ³ /h	2500	2800	3900	5100	7200	10300	14900	18900
MINIMUM air flow rate	m ³ /h	1742	1960	2737	3655	5132	7278	10544	13608
MAXIMUM air flow (Heating only)	m ³ /h	2900	3600	5000	6700	9000	12500	19400	25000
Type of fan		Single	Single	Single	Single	Single	Single	Twin	Twin
Impeller standard size		9-7	10-8	12-9	15-11	15-15	18-18	18-13	18-18
Standard motor type		4-pole IP55 Class F motors with 400V / 3 phase / 50Hz							
Minimum electric motor power installed	kW	0,25	0,37	0,55	0,75	1,1	1,5	2,2	3
Maximum electric motor power installed	kW	0,75	1,1	1,5	2,2	3	4	5,5	7,5
POWER IN HEATING AND COOLING									
	Rows								
Total cooling capacity [kW]	4 (1)	12,60	14,30	19,10	25,30	33,80	52,10	75,00	96,40
	6 (2)	23,20	26,30	35,90	47,50	67,20	93,10	140,00	179,40
Sensitive cooling capacity [kW]	4 (1)	9,80	11,10	15,10	20,00	27,40	37,50	58,50	75,20
	6 (2)	14,40	16,00	22,20	29,40	41,00	57,70	85,40	109,40
Thermal power [kW]	2 (3)	22,10	25,00	35,30	45,50	66,70	92,50	136,70	175,10
	4 (4)	15,00	16,80	23,00	30,40	41,70	61,80	89,10	114,10
	6 (4)	18,30	20,60	28,40	37,40	52,80	74,70	109,30	139,60
Water flow rate [l/h]	2 (3)	1899	2195	3098	4092	5862	8128	12010	15390
	4 (4)	2167	2452	3284	4352	5816	8956	12887	16566
	6 (4)	3988	4521	6176	8157	11554	16004	24062	30841
Water side pressure drop [kPa]	2 (3)	3	4	6	8	18	5	11	17
	4 (4)	30	41	15	18	7	32	28	39
	6 (4)	30	41	22	28	31	14	40	50

Dimensions

24MK		01	02	03	04	05	06	07	08	
A	mm	940	1020	1180	1260	1660	1900	2620	2860	
C	mm	1180	1180	1260	1340	1340	1580	1580	1660	
HO (5)	mm	760	760	840	920	920	1080	1080	1160	
B	mm	700	700	780	860	860	1020	1020	1100	
HV - 1 Coil	mm	1400	1400	1560	1720	1720	2040	2040	2200	
HV - 2 Coils	mm	1640	1640	1800	1960	1960	2280	2280	2520	
A1	mm	940	1020	1180	1260	1660	1900	2620	2860	
A2	mm	600	600	600	600	600	600	600	600	
B1	mm	600	600	600	700	850	1000	1000	1000	
B2 (6)	mm	600	600	600	700	850	1000	1000	1000	
C1 - C2	mm	600	600	600	700	850	1000	1000	1000	
weight	2 Rows Coil	kg	85	93	115	136	172	227	305	416
	4 Rows Coil	kg	90	99	121	137	165	221	303	405
	6 Rows Coil	kg	95	106	131	150	184	248	337	442
	4+2 Rows Coil	kg	101	111	136	157	189	255	347	466
	6+2 Rows Coil	kg	106	118	146	170	208	282	381	503

Note:
 (5) 60 mm reduction for false ceiling version
 (6) not mandatory